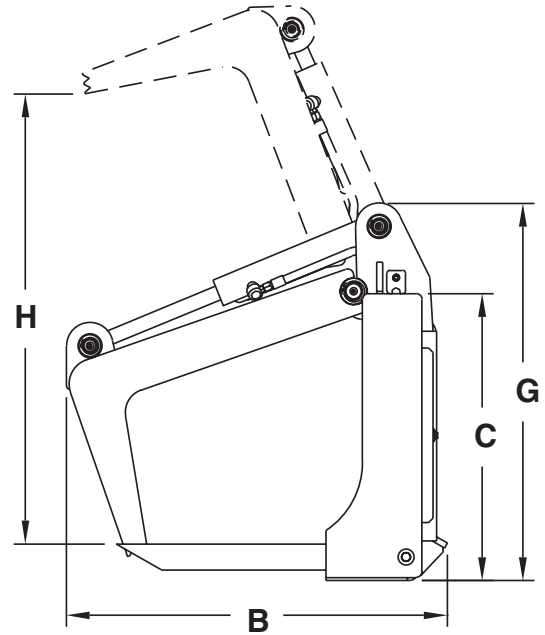


# VIRNIG

## Tine Root Grapple

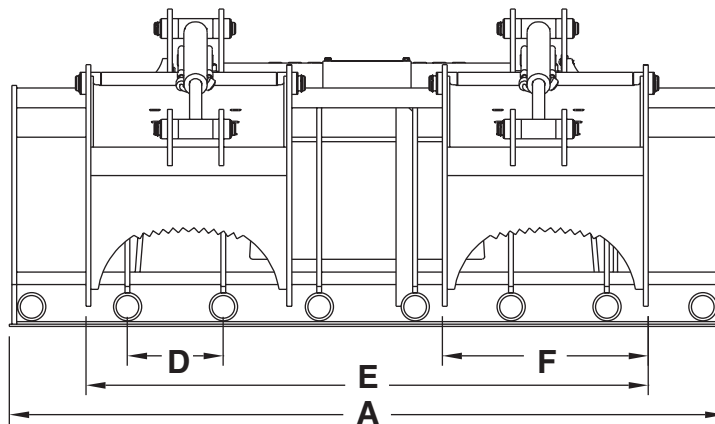
Specifications

MODEL	TRG66	TRG72	TRG78	TRG84
A) Overall Width	67.0 in.	73.0 in.	79.0 in.	85.0 in.
B) Overall Depth	32.75 in.	32.75 in.	32.75 in.	32.75 in.
C) Bucket Height	24.63 in.	24.63 in.	24.63 in.	24.63 in.
Number of Teeth	7	8	8	9
D) Tooth Spacing (on center)	10.44 in.	9.75 in.	10.63 in.	10.06 in.
E) Overall Grapple Width	57.38 in.	57.38 in.	57.38 in.	57.38 in.
F) Independent Grapple Width	21.0 in.	21.0 in.	21.0 in.	21.0 in.
G) Height with Grapple Closed	32.38 in.	32.38 in.	32.38 in.	32.38 in.
H) Grapple Opening	38.75 in.	38.75 in.	38.75 in.	38.75 in.
Approximate Weight	945 lb.	1005 lb.	1025 lb.	1085 lb.
Fork Teeth	2.25 in. Diameter 1045 Round			
End Plates	1/2 in. High Tensile Plate			
Frame	1/4 in. Plate – Reinforced			
Grapple Forks	1/2 in. High Tensile Plate			
Grapple Hinge Pin	1.56 in. Diameter 1045 Round			
Cylinder Specifications				
Bore	2.0 in.	2.0 in.	2.0 in.	2.0 in.
Stroke	8.38 in.	8.38 in.	8.38 in.	8.38 in.
Rod Diameter	1.25 in.	1.25 in.	1.25 in.	1.25 in.
Cylinder Pin Diameter	1.25 in.	1.25 in.	1.25 in.	1.25 in.



**Note: Cylinders Function Independently.**

**Includes Hoses From Grapple To Skid Loader.  
Couplers Available Upon Request.**



DISTRIBUTED BY:

**Innovative Loader Accessories**  
1-888-339-7799

**Specifications and designs are subject  
to change without notice.**

Virnig Manufacturing, Inc.  
800-648-2408  
www.virnigmfg.com